

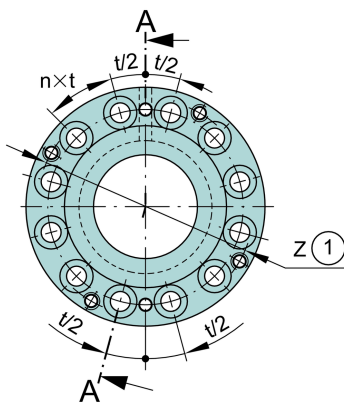
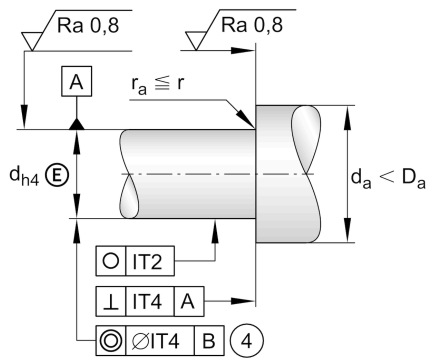
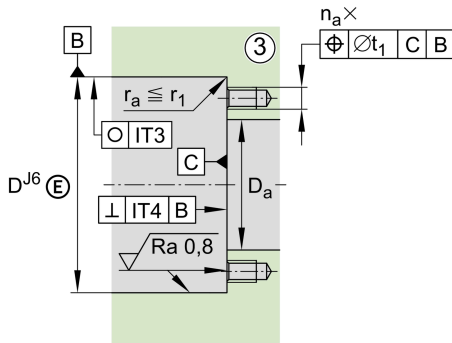
ZARF40100-TV

Needle roller/axial cylindrical roller bearing

Schaeffler ID:
0016824580000

Needle roller/axial cylindrical roller bearings ZARF, double direction, for screw mounting

Technical information

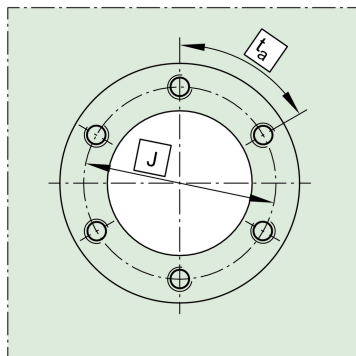
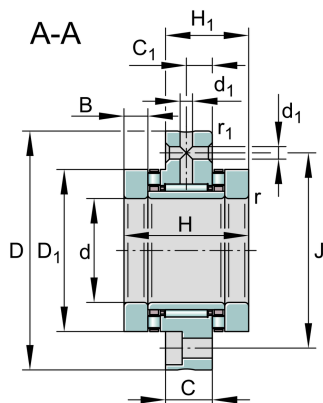


Main Dimensions & Performance Data

d	40 mm	Bore diameter
D	100 mm	Outside diameter
H	54 mm	Height
C_r	27,500 N	Basic dynamic load rating, radial
C_{0r}	53,000 N	Basic static load rating, radial
C_a	59,000 N	Basic dynamic load rating, axial
C_{0a}	163,000 N	Basic static load rating, axial
C_{ur}	7,600 N	Fatigue load limit, radial
C_{ua}	14,200 N	Fatigue load limit, axial
$n_{G \text{ Grease}}$	1,600 1/min	Limiting speed for grease lubrication
$n_{G \text{ Oil}}$	4,400 1/min	Limiting speed for oil lubrication
M_{RL}	1 Nm	Bearing friction torque
	1.219 kg	Weight

Dimensions

H_1	35 mm	Height outer ring over wave washer
c_{aL}	2,800 N/ μm	Rigidity axial
c_{kL}	1,030 Nm/mrad	Tilting stiffness
C	18 mm	Width, outer ring
	1 μm	Axial runout
C_1	10 mm	Distance to lubrication hole
D_1	65 mm	Rip diameter shaft washer
M_A	55 Nm	Tightening torque nut
	14,240 N	Preload force axial
B	11 mm	Width, inner ring
r_{min}	0.3 mm	Minimum chamfer dimension
$r_{1 \text{ min}}$	0.6 mm	Minimum chamfer dimension
d_1	3.2 mm	Diameter lubrication hole
J	80 mm	Pitch circle diameter (holes)
$n \times t$	45 °	Split
t_1	0.2 mm	Position bore in the housing



Mounting dimensions

$D_{a \max}$	66 mm	Maximum diameter of housing shoulder
$d_{a \min}$	55 mm	Minimum diameter shaft shoulder
	ZMA40/62	Locknut 1
	AM40	Locknut 2
n	8	Number (screwing holes)
	M8	Screw size
M_M	3.78 kg * cm ²	Mass moment of inertia
n	8	Number of screws
na x ta	45 °	Division (screwing holes)